

Omnia Square

MULTIPLE FLUSH-MOUNTING LED SPOTLIGHTS



Lighting characteristics

Light intensity: > 85%
Lifespan (L80): 50,000 h (Tp: 60°)
Photobiological Risk Group RG0 ("Exempt") (EN 62471:2006)

Mechanical characteristics

Body in aluminium
Protective polycarbonate shield
International Protection Class IP20
Shock Protection IK08 (EN60529)

Electrical characteristics

AC input: 85/265V - 50/60Hz
Power factor: >0.90

Lamp characteristics

COB LED chip
CRI Ra>80

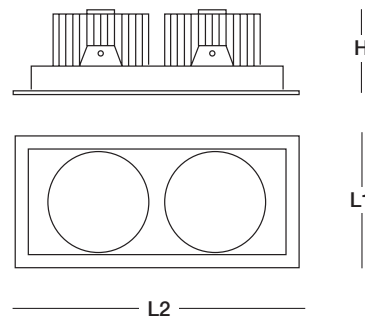
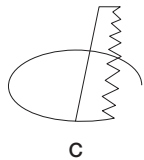
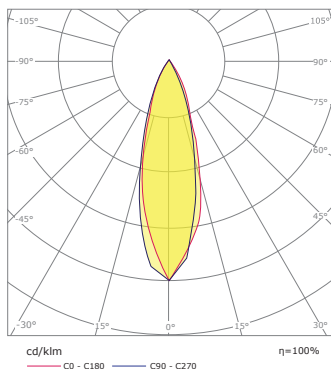
Accessories

Dimming 0-10V/DALI (sub-code D)

Regulations

Produced in accordance with EN standards EN55015:2013, EN61547:2009, EN61000-3-2:2006+A1:2009+A2:2009, EN61000-3-3:2013, EN61000-4-2:2009, EN61000-4-3:2006+A2:2010, EN61000-4-4:2004+A1:2010, EN61000-4-5:2006, EN61000-4-6:2009, EN61000-4-8:2010, EN61000-4-11:2004, EN 60598-1:2008+A11:2009, EN 62471:2008, EN 62031:2008, IEC62321:2013, EN60529:1992, EN 62262:2002, EN 12464-1

Lamps number	x 1		2 x		3 x
	9W	30W	18W	60W	27W
C1 [mm]	100	170	100	170	100
C2 [mm]	100	170	200	378	285
L1 [mm]	113	181	113	181	113
L2 [mm]	113	181	216	391	300
H [mm]	80	97	80	97	80



lighting solutions

The data have a tolerance level of +/-10% and are subject to modification without prior notice.
The pictures and dimensional parameters are merely an indication, and may differ from the end product.



Omnia Square

MULTIPLE FLUSH-MOUNTING LED SPOTLIGHTS



CODE	POWER [W]	COLOUR [K]	EFFICIENCY [lm/W]
OQ1012082781	9	2700	80
OQ1012084581	9	4500	80
OQ1012085581	9	5500	80
OQ2024082782	18	2700	80
OQ2024084582	18	4500	80
OQ2024085582	18	5500	80
OQ2836082783	27	2700	80
OQ2836084583	27	4500	80
OQ2836085583	27	5500	80
OQ1735082781	30	2700	70
OQ1735084581	30	4500	70
OQ1735085581	30	5500	70
OQ3870082782	60	2700	70
OQ3870084582	60	4500	70
OQ3870085582	60	5500	70