

Omnia Round

FLUSH-MOUNTING LED SPOTLIGHTS



Lighting characteristics

Light intensity: > 85%

Lifespan (L80): 50,000 h (Tp: 60°)

Photobiological Risk Group RG0 ("Exempt") (EN 62471:2006)

Mechanical characteristics

Body in die-cast aluminium

Opal polycarbonate shield

International Protection Class IP54 (visible part),

IP20 (hidden part) Shock Protection IK08 (EN60529)

Electrical characteristics

AC input: 220/240V - 50/60Hz

Power factor: >0.90

Lamp characteristics

COB LED chip

CRI Ra>80

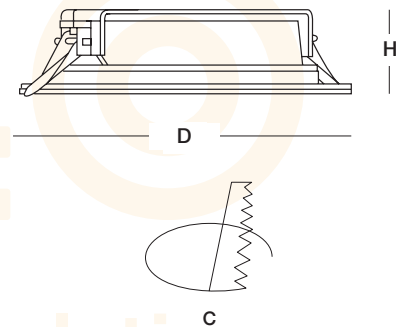
Accessories

Dimming 0-10V/DALI (sub-code D)

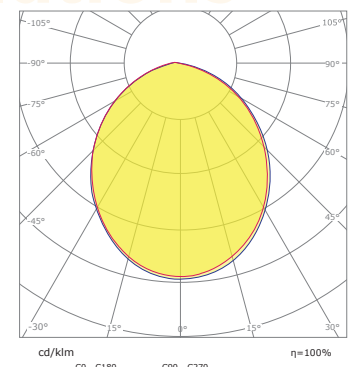
Regulations

Produced in accordance with standards EN55015:2013, EN61547:2009, EN61000-3-2:2006+A1:2009+A2:2009, EN61000-3-3:2013, EN61000-4-2:2009, EN61000-4-3:2006+A2:2010, EN61000-4-4:2004+A1:2010, EN61000-4-5:2006, EN61000-4-6:2009, EN61000-4-8:2010, EN61000-4-11:2004, EN 60598-1:2008+A11:2009, EN 62471:2008, EN 62031:2008, IEC62321:2013, EN60529:1992, EN 62262:2002, EN 12464-1

	8W	15W	20W	30W
C [mm]	100	160	185	205
H [mm]	60	69	71	81
D [mm]	125	189	215	245



CODE	POWER [W]	COLOUR [K]	EFFICIENCY [lm/W]
OR100809278	8	2700	90
OR100809458	8	4500	90
OR161509278	15	2700	90
OR161509458	15	4500	90
OR192009278	20	2700	90
OR192009458	20	4500	90
OR253009278	30	2700	90
OR253009458	30	4500	90



The data have a tolerance level of +/-10% and are subject to modification without prior notice.
The pictures and dimensional parameters are merely an indication, and may differ from the end product.

