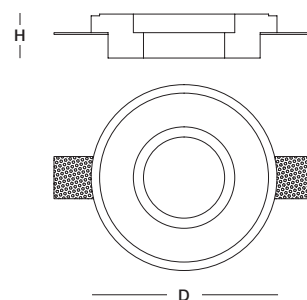


## Gypso range

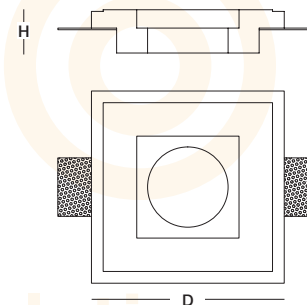
FLUSH-MOUNTING SPOTLIGHT-HOLDERS  
IN PLASTER



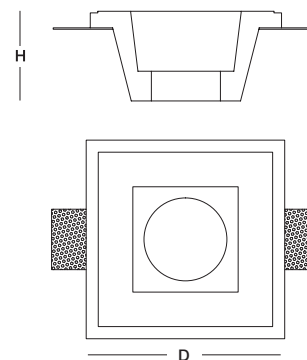
	GY1004031C	GY1304051C
<b>D [mm]</b>	100	100
<b>H [mm]</b>	30	45
<b>Cap</b>	Gu10	Gu10
<b>Pmax [W]</b>	35	35



	GY1004031Q
<b>P [mm]</b>	100
<b>L [mm]</b>	100
<b>H [mm]</b>	30
<b>Cap</b>	Gu10
<b>Pmax [W]</b>	35



	GY1204061Q
<b>P [mm]</b>	120
<b>L [mm]</b>	120
<b>H [mm]</b>	60
<b>Cap</b>	Gu10
<b>Pmax [W]</b>	35



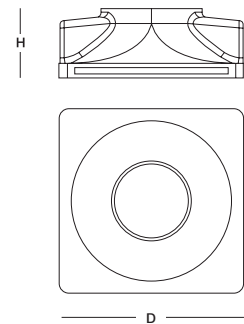
## Gypso range

FLUSH-MOUNTING SPOTLIGHT-HOLDERS  
IN PLASTER



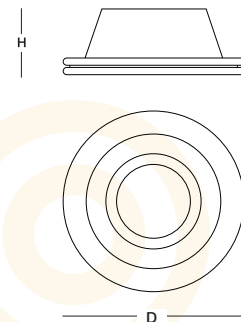
### GY1204051Q

<b>P [mm]</b>	120
<b>L [mm]</b>	120
<b>H [mm]</b>	45
<b>Cap</b>	Gu10
<b>Pmax [W]</b>	35



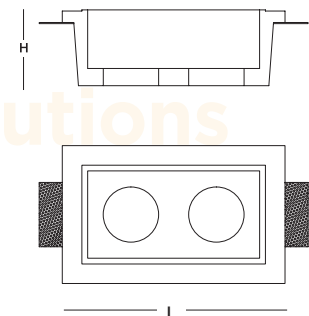
### GY2010081C

<b>D [mm]</b>	200
<b>H [mm]</b>	75
<b>Cap</b>	AR111
<b>Pmax [W]</b>	100



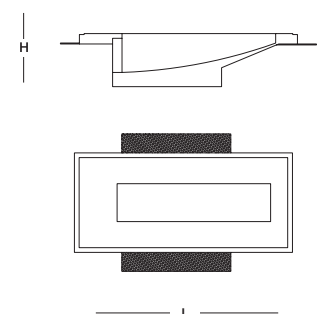
### GY2510062Q

<b>P [mm]</b>	150
<b>L [mm]</b>	250
<b>H [mm]</b>	60
<b>Cap</b>	AR111
<b>Pmax [W]</b>	100



### GY3510062Q

<b>P [mm]</b>	100
<b>L [mm]</b>	350
<b>H [mm]</b>	73
<b>Cap</b>	Gu10
<b>Pmax [W]</b>	35



The data have a tolerance level of +/-10% and are subject to modification without prior notice.  
The pictures and dimensional parameters are merely an indication, and may differ from the end product.